

**SATCOM COMPONENT**

# LNA

## Ka-band LNA

### LA9000



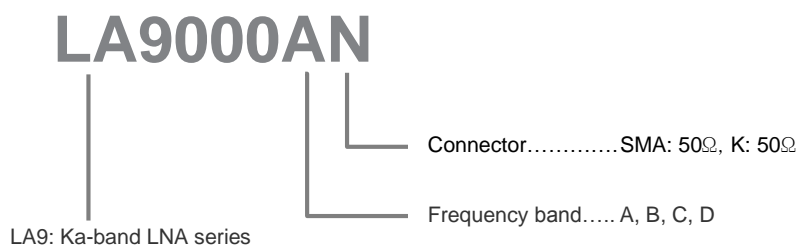
### TYPICAL SPECIFICATIONS

<b>Noise figure</b>	1.6dB typ	<b>Input level</b>	-30dBm max
<b>Input VSWR</b>	2.5 : 1	<b>DC voltage / current</b>	+12 to +24V / 150mA
<b>Output VSWR</b>	2.5 : 1	<b>DC connector</b>	MS3112E10-6P
<b>Output P1dB</b>	5dBm min	<b>Input interface</b>	WR-42
<b>Gain</b>	60dB typ	<b>Output interface</b>	SMA-female, K-female
<b>Gain flatness</b>	±2dB max over full band	<b>Dimension</b>	104(L) x 60(W) x 37(H) mm
<b>Gain stability over temp</b>	±2dB max	<b>Weight</b>	600g
		<b>Operating temperature</b>	-40 to 60 °C

### FREQUENCY BANDS AVAILABLE

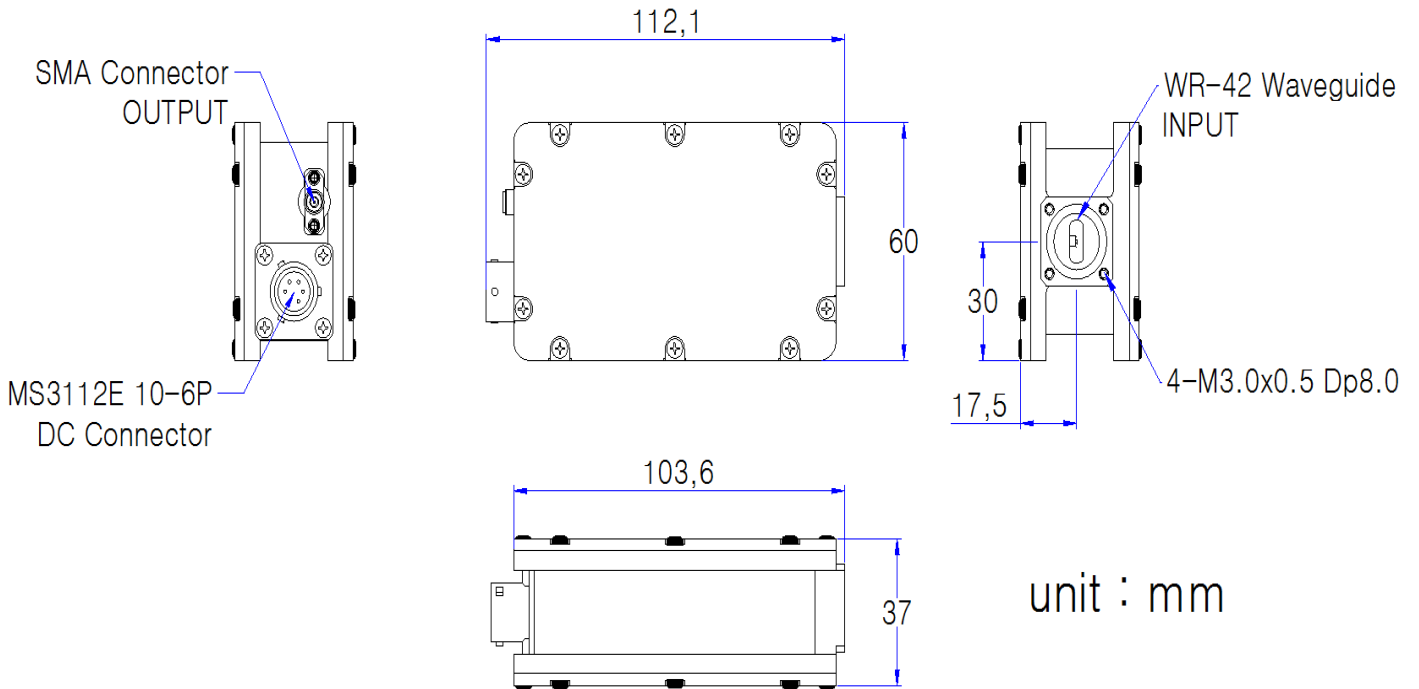
	A-band	B-band	C-band	D-band
Frequency (GHz)	18.20 ~ 19.20	19.20 ~ 20.20	20.20 ~ 21.20	21.20 ~ 22.20

### HOW TO ORDER Ka-band LNA



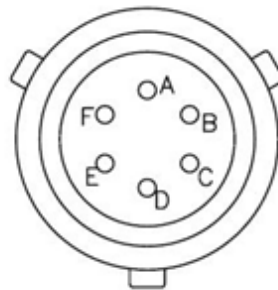
**SATCOM COMPONENT**

**OUTLINE DRAWING**



**PIN-OUT**

Pin No.	Function
A	DC Voltage
B	GND
C	GND
D	NC
E	NC
F	NC



The mating connector is enclosed in the package.