

QDV-90 & 120

0.9m & 1.2m Ku Band Quick Deploy Terminals

- 1.2m or 0.9m Dual optic SMC reflectors
- Quick deploy tripod assembly
- Single case solution
- Single person deployment in less than 5 minutes
- BUC and LNB options available

SPECIFICATION

Mechanical Data

	QDV-90	QDV-120
Overall Case Width	- 110 cm	135 cm
Overall Case Length	- 140 cm	168 cm
Overall Case Height	- 40 cm	45 cm
Cased Weight	- 65 Kg	80 Kg
•		
Wind Speed	- 50 mph	
Operating Temp.	- -40°C ~ +60°C	
•		
Azimuth Range	- +20° Fine 360° Continuous	
Elevation Range	- 5 - 90° Continuous	
Polarisation	- ± 95°	
•		

Electrical Data

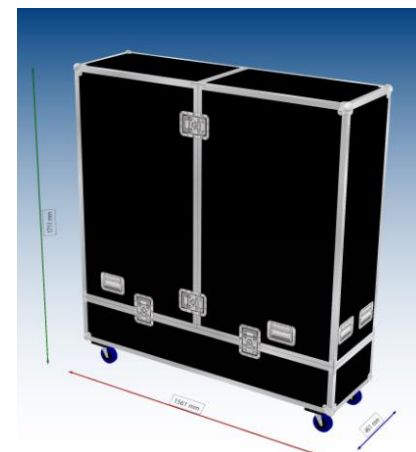
Gain Tx	- 40.0 dBi	43.0 dBi
Gain Rx	- 38.3 dBi	41.8 dBi
VSWR	- 1.3 : 1 max	
Sidelobe Envelope	- 29-25 Log θ dBi	
G/T 11.7 GHz	- 17.5 dBk	21.6 dBk
Cross Polarisation		
Within 1dB Contour	- -30 dB Max	



Both the QDV-120 and the QDV-90 are Eutelsat approved, rugged and reliable 1.2m and 0.9m antennas and mounts which will operate in the Ku band frequency with high efficiency and at the same time successfully withstand the effects of the environment.

The robust tripod assembly is quick to deploy with a no-tools wire guide locking system.

Easy to use and assemble the entire system stores in a single, reusable case.



Sales Enquiries : All Holkirk's sales are handled by Sematron UK Ltd

T +44 (0)1256-812222 F +44 (0)1256-812666 E sales@sematron.com