



SATELLITE MOUNTING SYSTEMS

**Model: B4-6x6**

**Type: Non-Penetrating Mount System  
1.2M Antennas**

Baird is the world's leading antenna mounting systems manufacturer. Baird designs, tests and manufactures mounting systems for every antenna offered in the world today. In the most demanding situations and conditions on earth, Baird is ***Underneath It All.***

#### **Superior Quality**

- 100% hot dipped galvanized finish
- Zinc plated hardware
- Design tested for survivability
- State-of-the-art manufacturing
- Heavy gauge steel fabrication

#### **Ultimate Flexibility**

- Mast sizes to accommodate ALL major antenna brands
- Mast heights up to 10' (3.2M) for wireless and other applications
- Custom installations? Baird can meet your needs with more than 20 years of Industry experience

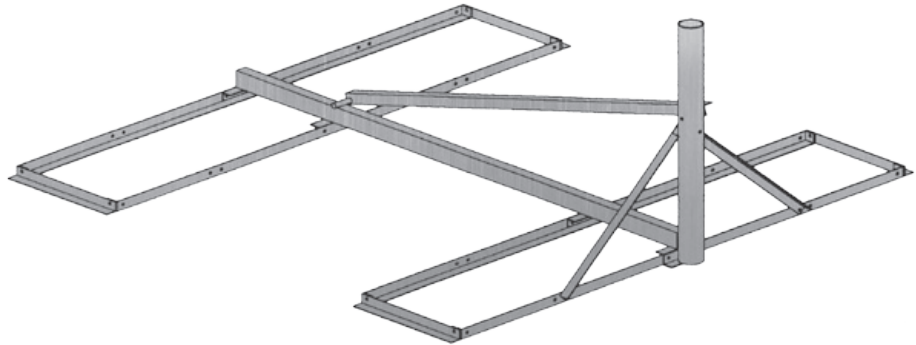
#### **Product Support**

- Engineering and installation support
- Site specific ballast calculations
- Same day shipping of in-stock items
- Extensive inventory

#### **Warranty**

- Your mount is backed by Baird's industry leading...**10 year warranty!**

The B4-6x6 is designed to provide fast installation and flexibility across a wide range of products. The B4-6x6 is used with all major brands of satellite antennas up to 1.2M, wireless products and other applications.



Baird Mounting Systems  
3160 Logan Ave  
Waterloo, Iowa 50703

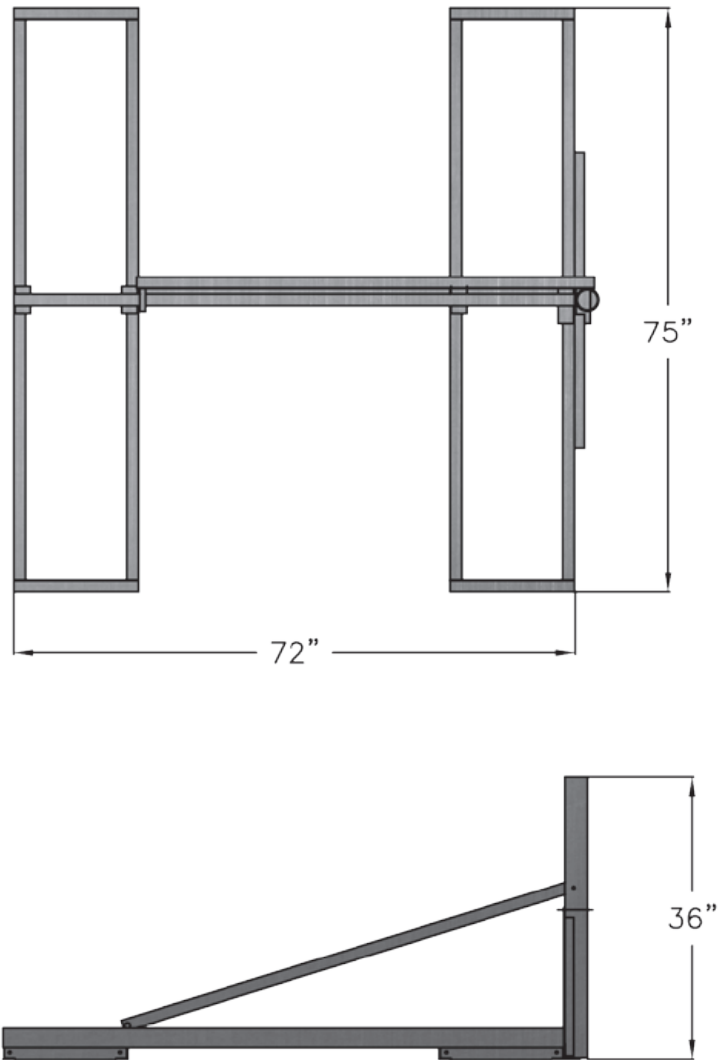
Phone: 319-233-3561  
Fax: 319-235-7653

[www.BairdMounts.com](http://www.BairdMounts.com)

***Underneath It All***

PART NUMBER	DESCRIPTION
B46-237x3-R	Non-Pen Mount, 6.25' x 6.00' Footprint, 2.37" O.D. x 3' Mast w/ Rubber Roof Pad
B46-288x3-R	Non-Pen Mount, 6.25' x 6.00' Footprint, 2.88" O.D. x 3' Mast w/ Rubber Roof Pad
B46-300x3-R	Non-Pen Mount, 6.25' x 6.00' Footprint, 3.00" O.D. x 3' Mast w/ Rubber Roof Pad

PRODUCT INFORMATION	
Application:	Roof-Top or Ground
Type:	Non-Penetrating, Flat Surface
Uses:	Satellite up to 1.2M Wireless Other Applications
Footprint:	6.25' x 6.00' = 37.5 sq ft
Finish:	Hot Dip Galvanized
Satellite Mast Sizes:	2.37" O.D. to 3.00" O.D. 3.0' Height
Wireless / Other Application Mast Sizes:	1.66" O.D. to 3.00" O.D. 3.0' to 10' Height
Ballast:	Up to 16 Standard Concrete Blocks (8" x 8" x 16")
Shipping:	UPS/Fedex Shipping Available Bulk Shipments - Up to 25 Units per Pallet
Warranty:	10 Year Product Warranty



[www.BairdMounts.com](http://www.BairdMounts.com)

**Model: B4-6x6**  
**Type: Non-Penetrating Mount System**  
**1.2M Antennas**

**BAIRD**  <sup>TM</sup>  
 SATELLITE MOUNTING SYSTEMS